
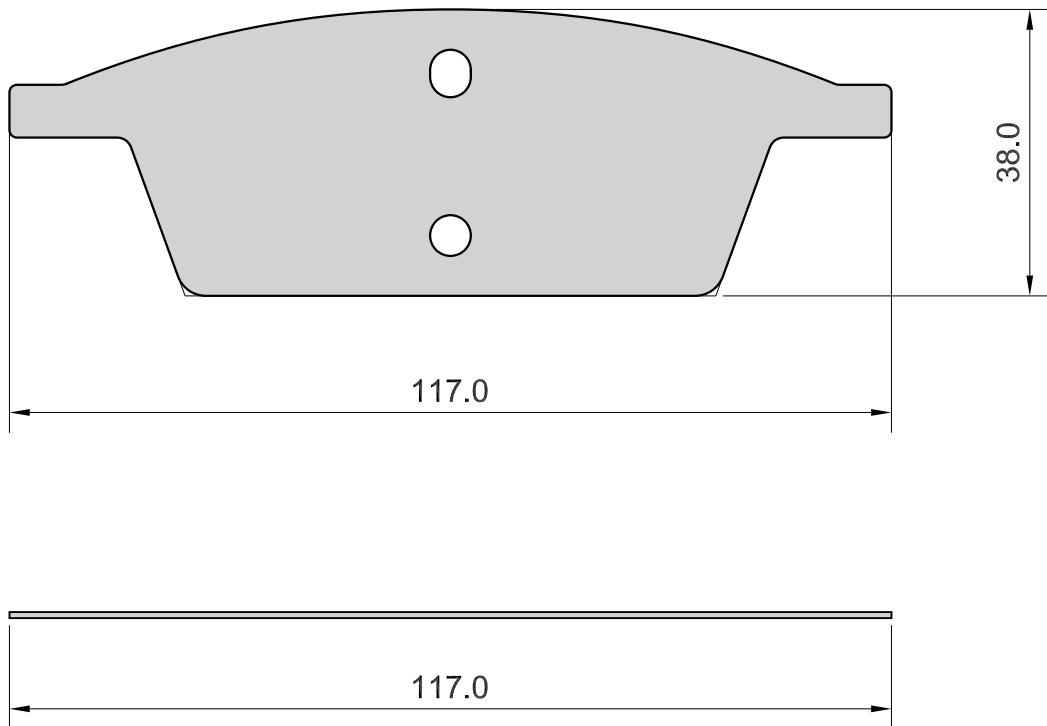


APPLICATION	AXLE	SCALE	REV.	DATE	SHIM 057
		100%	00	27/10/2014	
FORD: C-MAX,FOCUS,FOCUS C-MAX, TOURNEO,TRANSIT HOLDEN: VECTRA JAUGUAR: S-TYPE,XF	W.V.A. 23482 24137 23483 25211 25212	FMSI D0973-I D0973-O D1564-0	O.E.		 MECCANICHE MARCO MORETTO S.R.L. BRAKE PADS COMPONENTS



Drawing in CAD corrections are not allowed
TOLLERANCE: ± 0.5