
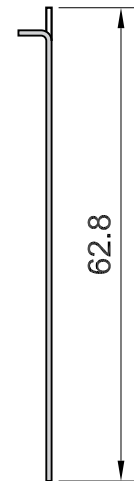
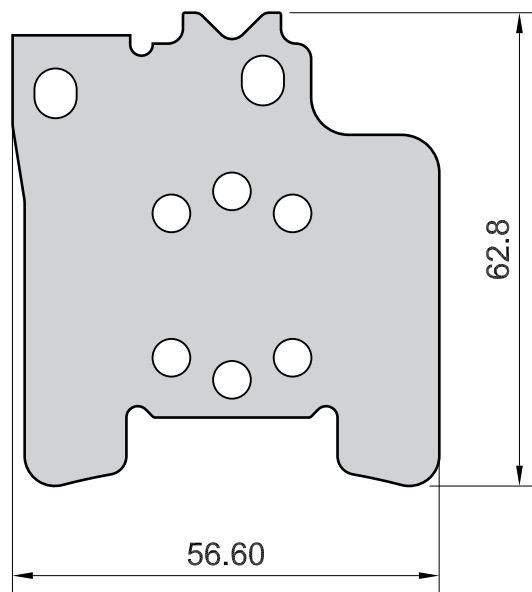


| | | | | | |
|-----------------------------|-----------------|-------|------|------------|--|
| APPLICATION MERCEDES | AXLE | SCALE | REV. | DATE | SHIM 077 |
| | R | 100% | 00 | 29/02/2016 | |
| | W.V.A. 21899 | FMSI | O.E. | |  MECCANICHE MARCO MORETTO S.R.L. BRAKE PADS COMPONENTS |



Drawing in CAD corrections are not allowed
TOLLERANCE: ± 0.5