
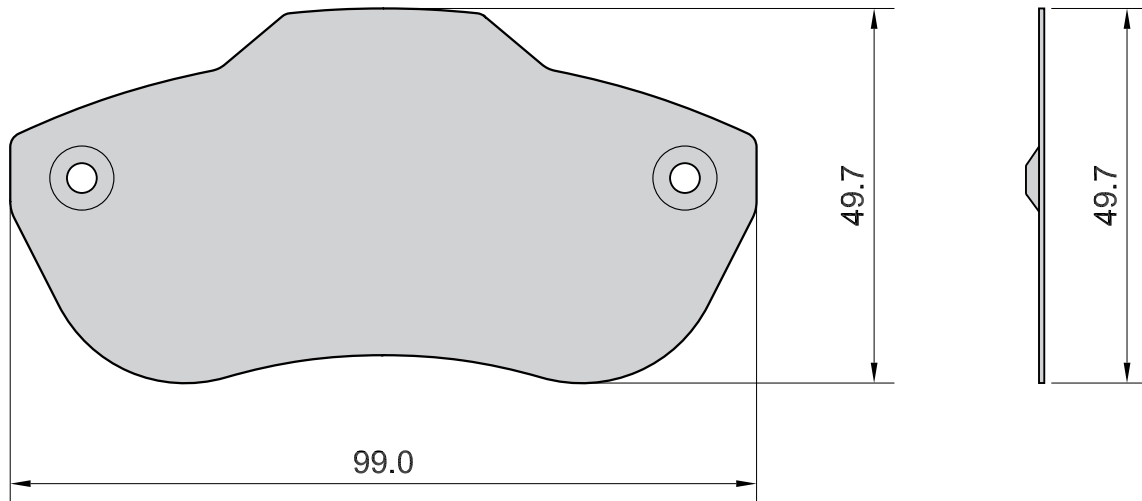


APPLICATION FIAT:500 II,500 II CABRIO,PANDA II,600 FORD:KAII	AXLE	SCALE	REV.	DATE	SHIM 101
	F	100%	00	14/02/2015	
	W.V.A. 24072 24764		FMSI D1488	O.E.	 MECCANICHE MARCO MORETTO S.R.L. BRAKE PADS COMPONENTS



Drawing in CAD corrections are not allowed
TOLLERANCE: ± 0.5