
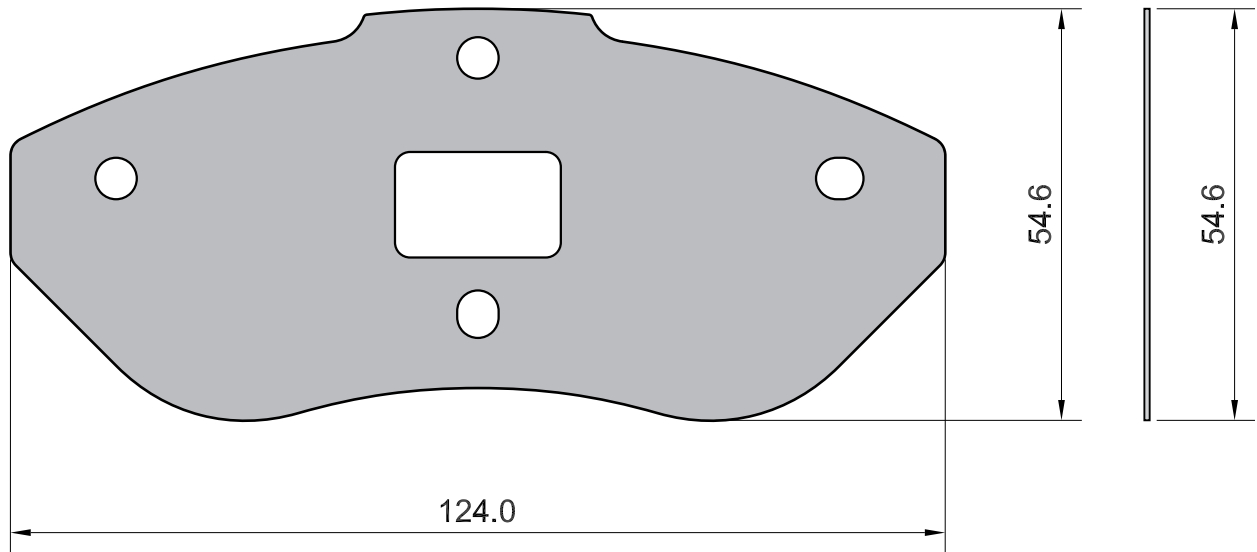


APPLICATION	AXLE	SCALE	REV.	DATE	SHIM 500.3
	F	100%	00	20/07/2014	
ALFA ROMEO : MITO FIAT : STILO,BRAVO LANCIA: LYBRA,DELTA	W.V.A. 23711 23712 23713	FMSI D1536-I D1536-O	O.E. 77362093 9949279 77364589		 MECCANICHE MARCO MORETTO S.R.L. BRAKE PADS COMPONENTS



Drawing in CAD corrections are not allowed
TOLLERANCE: ± 0.5